



## PUREWHITE IN-GROUND LED LIGHT FIXTURE

PureWhite LED Light Fixtures provide an LED lighting alternative to inefficient incandescents for installations requiring a full fixture. They significantly reduce energy consumption and maintenance costs. Plus, all PureWhite LED Light Fixtures feature a superior rugged construction that is unmatched in the industry.

### PureWhite Advantages:

- Uses less energy – up to 90%\*
- Lasts up to 50,000 hours – 20x longer life\*\*
- Greater lumen output – up to 4,500 lumens
- Enhances pool water appearance – looks clearer and cleaner
- Enhances dark finish pools - commercial and residential
- Installs easily – compact fixture depth allows bottom catch visibility from pool deck

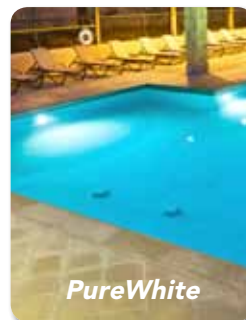
\*HI Series compared to incandescent lamps  
\*\*Compared to incandescent lamps



Polished (shown)  
or Matte faceplate available.

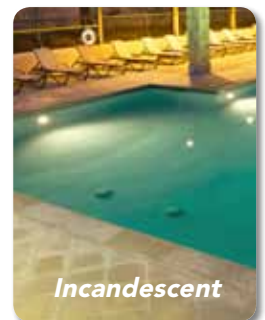


**IMMEDIATE SAVINGS** Instantly reduces energy and maintenance expenses.



PureWhite

**VS.**



Incandescent

### THE PUREWHITE DIFFERENCE:

**Custom Etched Optical Lens Provides Superior Light Diffusion**

**Contemporary Housing and Faceplate Styling**

**Industry Leading 3-year Warranty**

**Cool White LEDs Boost Clarity and "Blue Water Look"**



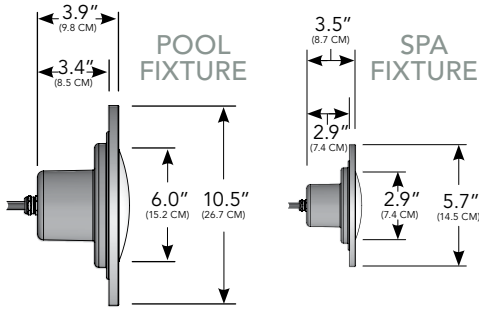
For more specific ordering information scan QR code\*

# pureWHITE™

LED Light Fixture



## DIMENSIONS



## ANNUAL SAVINGS COMPARISON

	LED POOL LIGHT FIXTURE			INCANDESCENT		
	Li Series	Hi Series	Xi Series	300W	400W	500W+ DWP
Life Span (hrs)	50,000	50,000	50,000	2,500	2,500	2,500
Life Span (yrs)*	11.42	11.42	11.42	.57	.57	.57
Watts	39	58	87	300	400	500
Annual Energy Cost**	\$22	\$33	\$49	\$170	\$226	\$283
Annual Maintenance Cost ***	\$0	\$0	\$0	\$306	\$306	\$306
Total Annual Usage Cost	\$22	\$33	\$49	\$476	\$532	\$589
	<b>Li Series Savings \$443</b>					
	<b>Hi Series Savings \$499</b>					
	<b>Xi Series Savings \$540</b>					

Equivalent Chart

Incandescent	LED Pool Light Fixture
<b>300W</b>	<b>Li Series: 39W 2,400 Lumens</b>
<b>400W-500W</b>	<b>Hi Series: 58W 3,900 Lumens</b>
<b>500W+ Deep Water Pools</b>	<b>Xi Series: 87W 4,500 Lumens</b>

\*Based on 12 hours of usage per day, 365 days per year. \*\*Based on electricity cost of \$0.129 per KWh. \*\*\*Based on replacing bulb and gasket 1.75 times at \$50 per replacement and one hour of labor per replacement at \$125/hr.

## Ordering Information

### PUREWHITE FIXTURE - POOL SERIES

Part Number	Voltage	Cord Length (ft)	Faceplate
LPL- <b>XX</b> - <b>XX</b> - <b>XX</b> - <b>X</b>			
F1W=Li	120,12	30, 50,100, 150	P=Polished
F3W=Hi			M=Matte
F5W=Xi			

Power Consumption: Li=39W, Hi=58W, Xi=87W

Niche Compatibility:

Pentair®: 78210400, 78210500, 78210600, 78210700, 9206700

Hayward®: SP0604C, SP0600U

Jandy®: PLN1CLRG, SSN1CLRG1R, SSN1CLRG1S

Jacuzzi®: 94131234

### PUREWHITE FIXTURE - SPA SERIES

Part Number	Voltage	Cord Length (ft)	Faceplate
LPL-S1W - <b>XX</b> - <b>XX</b> - <b>X</b>			
	120,12	30, 50,100, 150	P=Polished
			M=Matte

Power Consumption: 13W

Niche Compatibility:

Pentair®: 78244200, 78244300, 78243200, 78243300, 79206600

Hayward®: SP0606C, SP0610C

Jandy®: PLN1CSM, SSN1CSM1R, SSN1CSM1S

\*To scan the QR code, download a QR code reader from the APP store on your mobile device.