

COMPLETE STAINLESS OR PLASTIC FACE POOL LIGHTS

FEATURES:

- Plastic or stainless steel face
- 100% Tested for safety and quality assurance

DIMENSIONS:

FACE RING DIAMETER:	10-3/4"
FRONT TO BACK: (SHELL ONLY)	6-5/8"
FRONT TO BACK: (TO LENS FRONT)	8"
SHELL REAR DIAMETER:	2-3/4"



ITEM #	WATTS	VOLTAGE	CORD	MFG #
--------	-------	---------	------	-------

300 WATT, 12 VOLT, STAINLESS STEEL FACE RING

3550-70	300W	12V	15'	SP0581S15
3550-71	300W	12V	30'	SP0581S30
3550-72	300W	12V	50'	SP0581S50
3550-73	300W	12V	100'	SP0581S100

500 WATT, 120 VOLT, STAINLESS STEEL FACE RING

3550-54	500W	120V	15'	SP0583SL15
3550-59	500W	120V	30'	SP0583SL30
3550-57	500W	120V	50'	SP0583SL50
3550-81	500W	120V	100'	SP0583SL100

ITEM #	WATTS	VOLTAGE	CORD	MFG #
--------	-------	---------	------	-------

300 WATT, 12 VOLT, WHITE PLASTIC FACE RING

3550-52	300W	12V	15'	SP058115
3550-82	300W	12V	30'	SP058130
3550-53	300W	12V	50'	SP058150
3550-83	300W	12V	100'	SP0581100

500 WATT, 120 VOLT, WHITE PLASTIC FACE RING

3550-50	500W	120V	15'	SP0583L15
3550-84	500W	120V	30'	SP0583L30
3550-51	500W	120V	50'	SP0583L50
3550-56	500W	120V	100'	SP0583L100

HAYWARD ASTROLITE II

COMPLETE HALOGEN LIGHTS FOR SPAS & SMALL POOLS

AstroLite II series lights combined with Hayward's niches, are an excellent choice for all concrete or gunite spas, or for pools where a small diameter light is preferred.

FEATURES:

- Snap-on white plastic faceplate included which fits over stainless steel faceplate
- Machine polished stainless steel face rim
- E-Z Lock™ clamp and reflector assembly for simple re-lamping
- When used with Hayward's plastic or new stainless steel niches, provides extra space for easy coiling and storage of the re-lamping cord length
- Blue and red colored lens kit included, offering even greater value
- 100% tested for safety and quality assurance
- UL Listed

DIMENSIONS:

FACE RING DIAMETER:	5-3/4"
FRONT TO BACK: (SHELL ONLY)	4-3/4"
FRONT TO BACK: (TO LENS FRONT)	5"
SHELL REAR DIAMETER:	2-7/8"



ITEM #	WATTS	VOLTAGE	CORD	MFG #
--------	-------	---------	------	-------

75 WATT HALOGEN, 12 VOLT

3553-21	75W	12V	15'	SP0590HSL15
3553-22	75W	12V	30'	SP0590HSL30
3553-23	75W	12V	50'	SP0590HSL50
3553-24	75W	12V	100'	SP0590HSL100

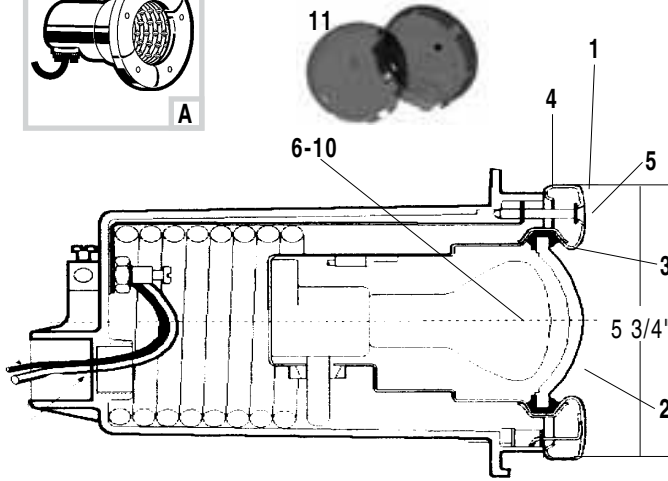
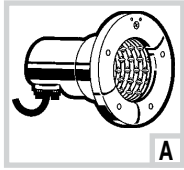
100 WATT HALOGEN, 120 VOLT

3553-25	100W	120V	30'	SP0591HSL30
3553-26	100W	120V	50'	SP0591HSL50
3553-27	100W	120V	100'	SP0591HSL100

250 WATT HALOGEN, 120 VOLT

3553-28	250W	120V	30'	SP0592HSL30
3553-1	250W	120V	50'	SP0592HSL50
3553-2	250W	120V	100'	SP0592HSL100

SEE BEGINNING OF THIS SECTION FOR LIGHT BULB PHOTOGRAPHS



KEY	ITEM #	DESCRIPTION	MFG. #
		COMPLETE LIGHTS 12 VOLT, 75 WATT	
A	3553-21	COMPLETE LIGHT, 15' CORD	SP0590HSL15
A	3553-21	COMPLETE HALOGEN LIGHT, 15' CORD	SP0590HSLI5
A	3553-22	COMPLETE HALOGEN LIGHT, 30' CORD	SP0590HSL30
A	3553-23	COMPLETE HALOGEN LIGHT, 50' CORD	SP0590HSL50
A	3553-24	COMPLETE HALOGEN LIGHT, 100' CORD	SP0590HSL100
		COMPLETE LIGHTS 120V, 250W	
A	3553-1	COMPLETE HALOGEN LIGHT, 50' CORD	SP0592HSL50
A	3553-2	COMPLETE HALOGEN LIGHT, 100' CORD	SP0592HSL100
1	3553-01	STAINLESS STEEL FACE RIM	SPX590A
2	3553-02	LENS, 3 5/8" DIAMETER	SPX590Z1
3	3553-03	LENS GASKET	SPX590G
4	OBSOLETE	OBSOLETE ASSY CLAMP W/SCREW & NUT	SPX590BA
5	3553-05	FACE RIM LOCKSCREW W/FASTENER	SPX590Z2A
6	9250-05	12V, 100W BULB - INCANDESCENT	SPX550Z4
7	9250-05A	120V, 100W BULB - INCANDESCENT	SPX551Z4
8	3530-09	12V, 75W BULB - HALOGEN	SPX590H
9	3530-13	120V, 100W BULB - HALOGEN	SPX591H
10	7489-0	120V, 250W BULB, HALOGEN	SPX592H
11	3553-10	BLUE & RED REPLACEMENT LENS COVER KIT	SPX590K

HAYWARD ELITE

ABOVE GROUND LIGHT MODEL SP056525A

SEE BEGINNING OF THIS SECTION FOR LIGHT BULB PHOTOGRAPHS



KEY	ITEM #	DESCRIPTION	MFG. #
1	3552-001	COMPLETE LIGHT 120V, 50 WATT, 25' CORD INCLUDES WALL CUTTING TOOL	SP056525A
2	3554-001	HALOGEN LAMP WITH REFLECTOR 12V, 50 WATT	SPX0565Z1
3	3552-003	LENS	SPX0565BA
4	3552-004	COLOR FILTER KIT (3 LENSES)	SPX0565L
*	3552-005	GASKET	SPX0565G

* NOT SHOWN

NOTE - CORD, TRANSFORMER, WALL CUTTING TOOL, & FIXTURE NOT SOLD SEPARATELY

